

GRAHAM STUDIOS

Broadcast Furniture

RXPC Talk Table

Instruction Manual



This manual is a generic guide. The assembly of a Talk Table and is used as an example. Your particular configuration may vary. Please refer to your personalized shop drawing included in packaging.

Please call the factory if you have any questions at (970) 225-1956.

Tools needed :

1. #2 Phillips screw driver (Power drill with barrel magnet makes it much easier)
2. 2 each— 7/16" open end wrenches

Table of Contents

1. Equipment/PBC cabinet assembly.....	3
2. Attach stringers & Utility panel.....	4
3. Install bases.....	5
4. Attach rear doors & Bolt cabinets together.....	6
5. Tabletop installation.....	7
6. HP assembly.....	8

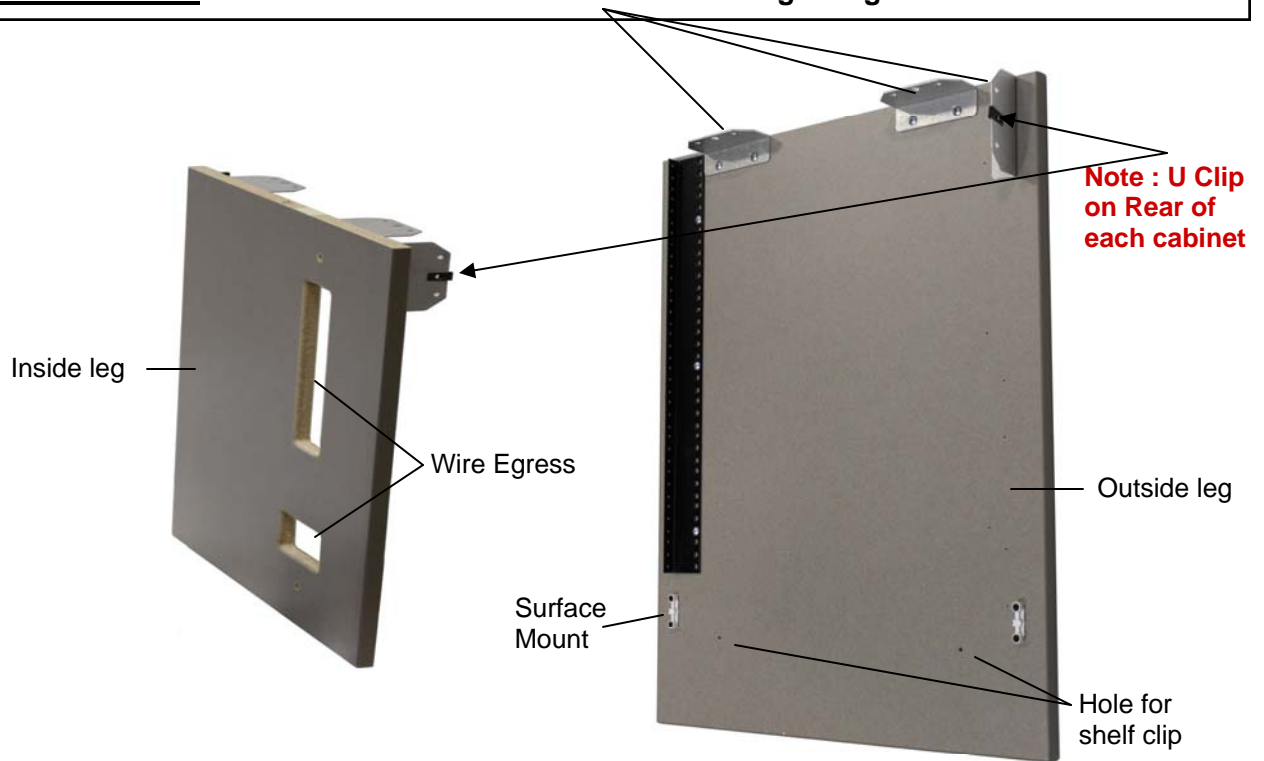
Care and Maintenance

Surfaces may be cleaned with mild soap and water.

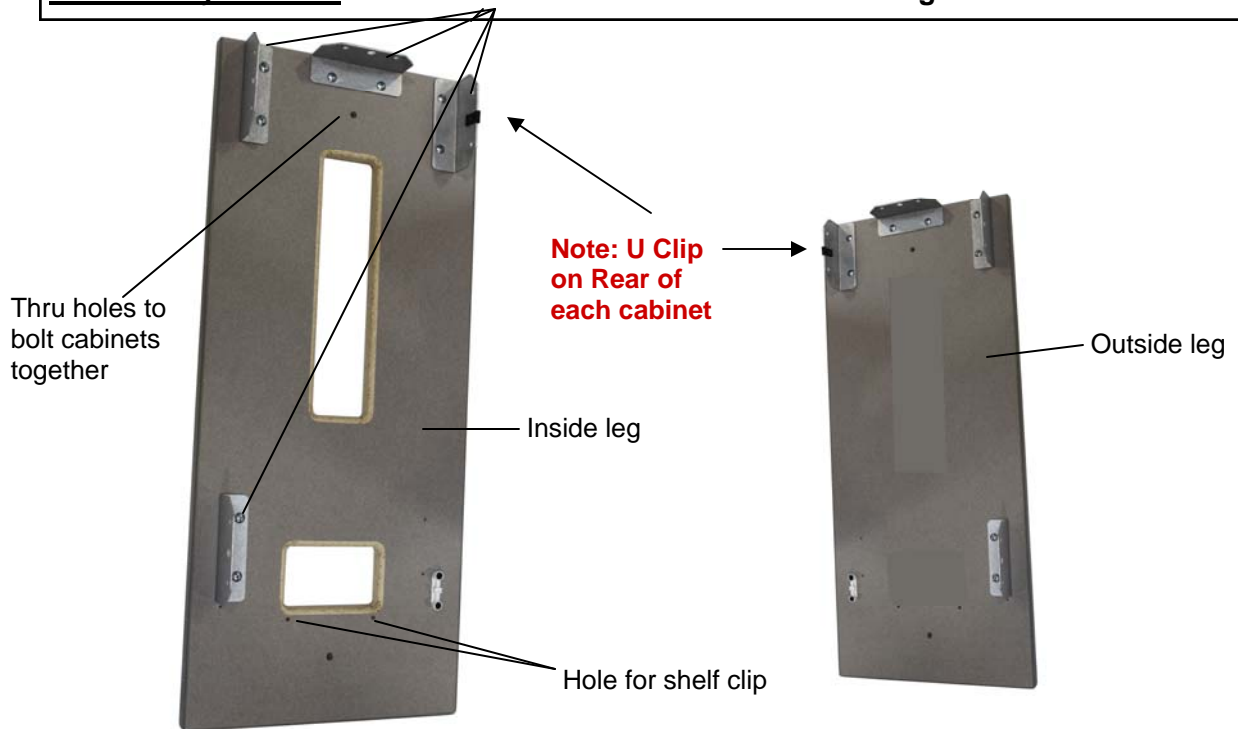
Note : We will replace any damaged part at cost.

Equipment / PBC Cabinet Assembly

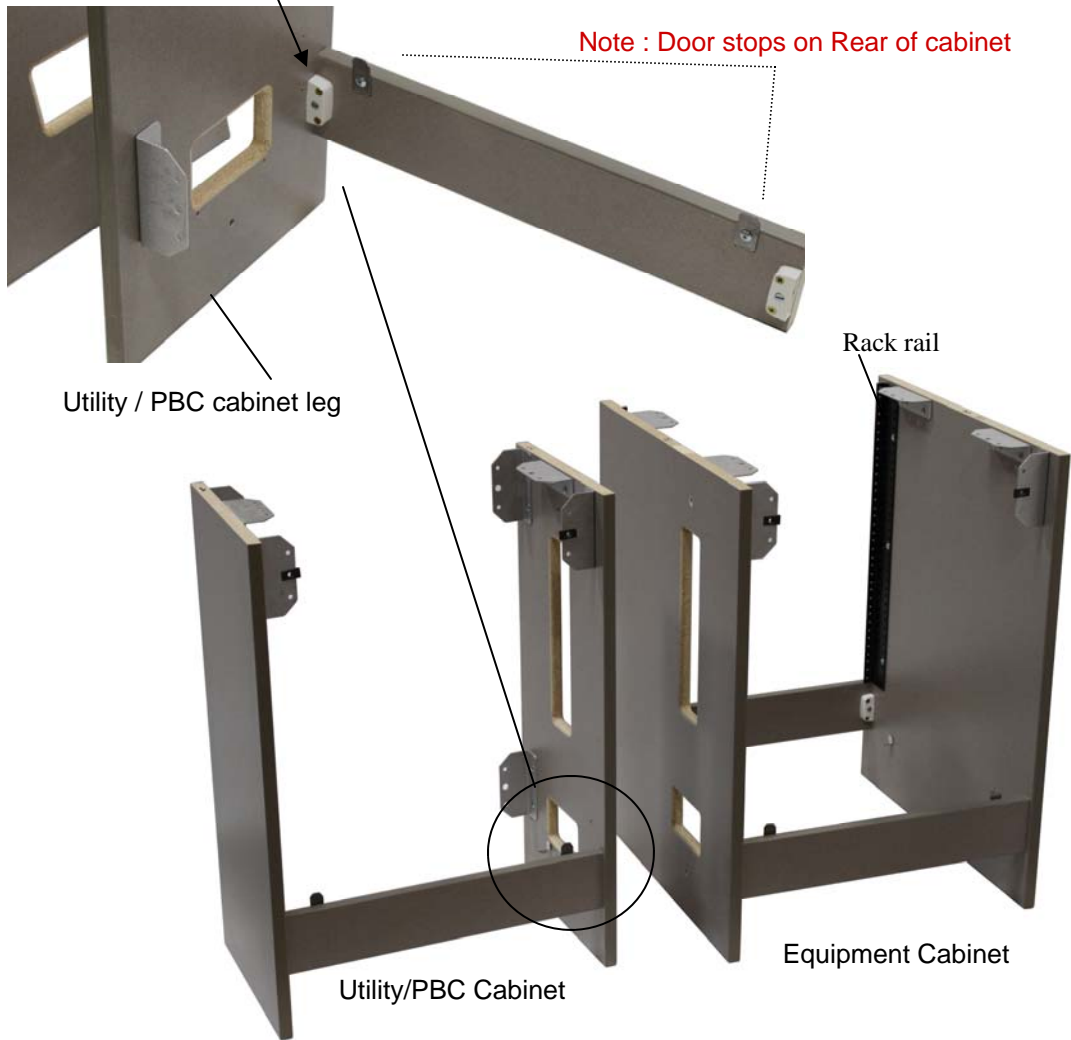
Equipment cabinet — Attach 3 Universal Brackets on each leg using 3/4 Truss head screws



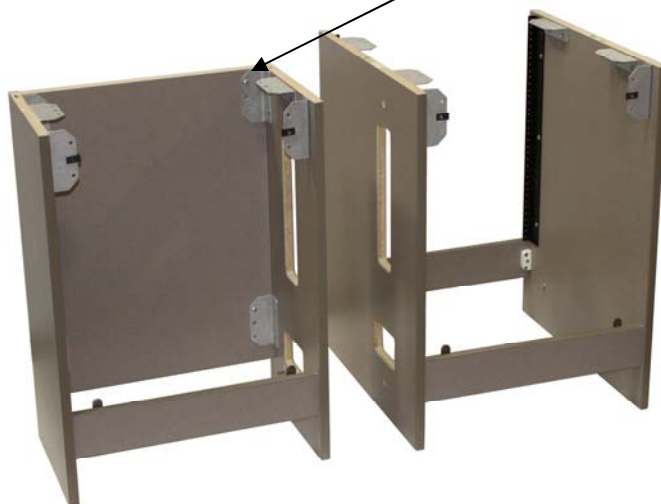
PBC / Utility Cabinet — Attach 4 Universal Brackets on each leg w/ 3/4 Truss head



Attach Stringers to Both legs with surface mounts



Attach utility panel to punch block cabinet with 3/4 Truss head screws

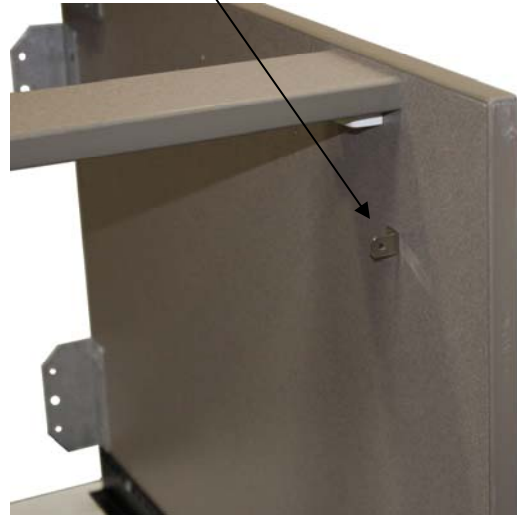


Install Bases

Lay cabinets on their sides



Insert 2 Clips on each leg



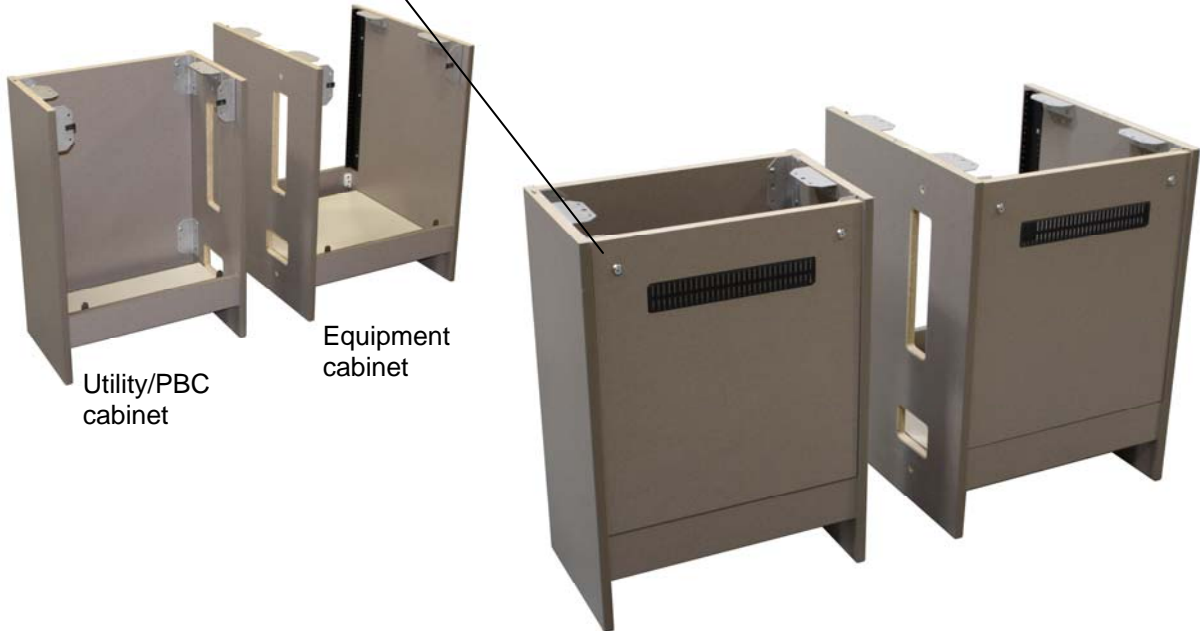
Secure bottom with #6 5/8 Phillips pan head screws



View of Bottoms installed



Attach Rear Door with 1/4 x 20 machine screws and finish washers



Bolt Rack & PBC Cabinets together with 1/4 x 20 Bolts at top and bottom



Front view



Tabletop Installation **This step requires 2 people**



Tabletop legs are secured with 1" Phillips pan head screws in pre-marked areas

Note : Attaching HP Assembly can be done at this time or after Top is installed (See next page)

Place Top in position and Secure 2 metal Legs as shown



Locate pre-drilled holes and secure Cabinets to Top with 3/4 Truss head screws



Secure last 2 metal legs

Attach HP Assembly at pre-drilled holes with 3/4 Truss head screws



Finished Talent view

